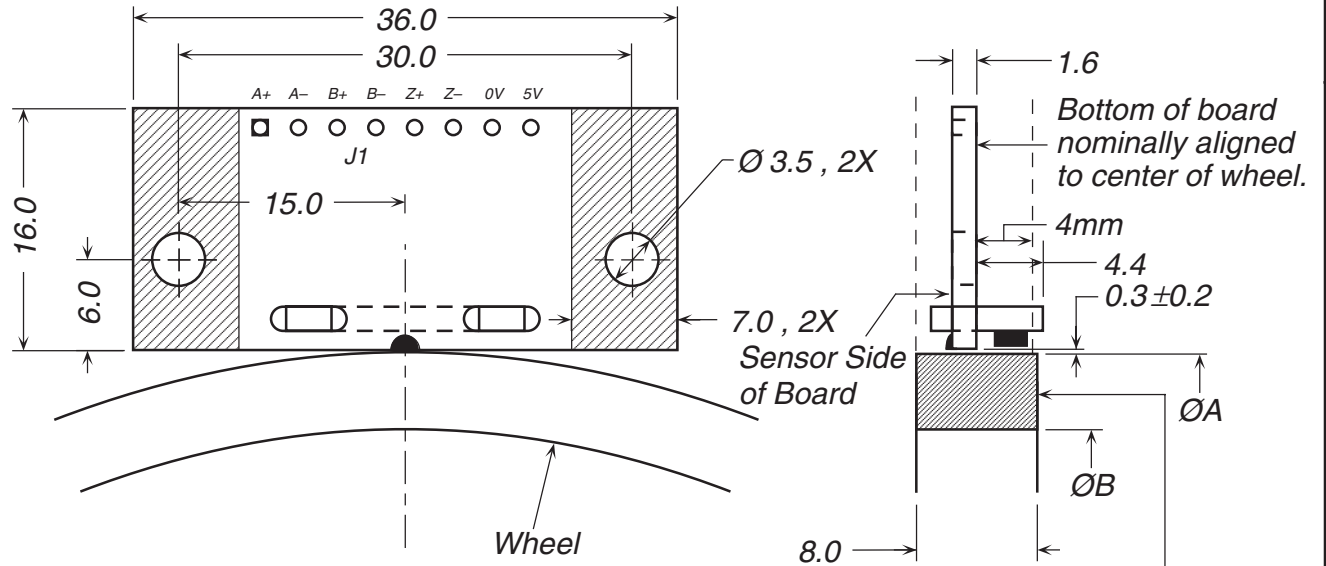
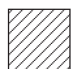



### Wheel Reference Specifications

Tensile Strength	<b>480</b>	kg/cm <sup>2</sup> (ASTM D-638)
Flexural Strength	<b>840</b>	kg/cm <sup>2</sup> (ASTM D-790)
Rockwell Hardness	<b>R110</b>	ASTM D-785



 Sensor mounting area.  
Free of components and traces (both sides).

Mark on this face of wheel shows index location.

REFERENCE		MATERIAL		 <small>ADMOTEC INC., LEBANON NEW HAMPSHIRE USA</small>	
REVISIONS		As shown.			
		DIMENSIONS IN MILLIMETERS TOLERANCES UNLESS OTHERWISE SPECIFIED		HEAT TREAT	
		.X: $\pm 0.10$		Not applicable.	
		.XX: $\pm 0.05$		FINISH	
		ANGLES: $\pm 0^{\circ}30'$		Not applicable.	
THIS DRAWING IS THE PROPERTY OF ADMOTEC INC. IT MAY NOT BE COPIED, USED OR DISCLOSED FOR ANY PURPOSE WITHOUT WRITTEN PERMISSION BY ADMOTEC INC.		DRAWN	D Robinson	DATE	15 May 07
		CHECKED		DATE	
		APPROVED		DATE	
		DRAWING SIZE		REVISION	
		A		—	
		SCALE 2:1		SHEET 1 OF 1	

## KXS2300 Encoder Outline & Mounting

7310-430