


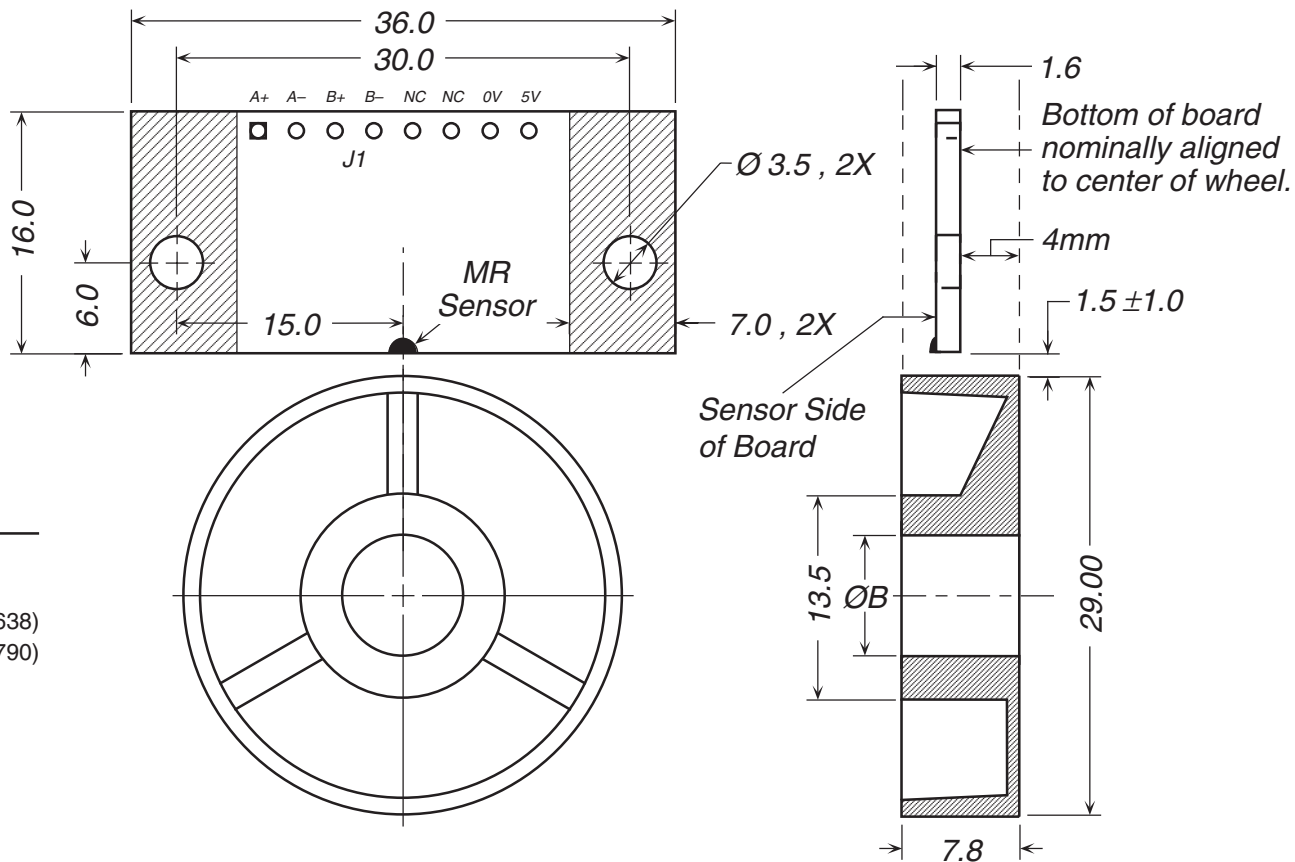
Wheel ID Table (ØB)

| KXL1229-xxxx- | Nominal ID (mm) | ID Tolerance ISO | ID Tolerance ±mm |
|---------------|-----------------|------------------|------------------|
| 06 | 6.00 | H7 | +0.01, -0.00 |
| 08 | 8.00 | H7 | +0.01, -0.00 |
| 10 | 10.00 | H7 | +0.01, -0.00 |
| 25 | 6.35 | — | -0.01, -0.03 |
| 31 | 7.94 | — | -0.02, -0.03 |
| 38 | 9.53 | — | -0.02, -0.03 |

Wheel Reference Specifications

| | | |
|-------------------|------|---------------------------------|
| Mass | 5 | grams |
| Inertia | 4 | gram cm ² |
| Tensile Strength | 480 | kg/cm ² (ASTM D-638) |
| Flexural Strength | 840 | kg/cm ² (ASTM D-790) |
| Rockwell Hardness | R110 | ASTM D-785 |

 *Sensor mounting area. Free of components and traces (both sides).*



| REFERENCE | MATERIAL | | admotec | |
|--|------------------|---|---|--|
| | As shown. | | ADMOTEC INC., LEBANON NEW HAMPSHIRE USA | |
| REVISIONS | HEAT TREAT | | KXL1229 Encoder Outline & Mounting | |
| | Not applicable. | | | |
| | FINISH | | 7310-313 | |
| | Not applicable. | | REVISION | |
| | DRAWN D Robinson | | — | |
| | DATE 4 May 07 | | SCALE 2:1 | |
| | CHECKED | | SHEET 1 OF 1 | |
| | DATE | | | |
| | APPROVED | | | |
| | DATE | | | |
| DIMENSIONS IN MILLIMETERS TOLERANCES UNLESS OTHERWISE SPECIFIED .X: ± 0.10 .XX: ± 0.05 ANGLES: ± 0°30' | | THIS DRAWING IS THE PROPERTY OF ADMOTEC INC. IT MAY NOT BE COPIED, USED OR DISCLOSED FOR ANY PURPOSE WITHOUT WRITTEN PERMISSION BY ADMOTEC INC. | | |